

620B

Stainless Steel Case

COMMERCIAL • CONTRACTOR GAUGES



620B shown

- ▶ 4 1/2" Dial Size
- ▶ ±1.0% Accuracy
- ▶ Stainless Steel Case
- ▶ Recalibrator Screw

The **620B** Trerice Contractor Gauge is designed to service the general pressure measurement requirements of the construction industry. The 620B offers high reliability at an economic price. This gauge features a corrosion resistant, stainless steel case and acrylic window. Wetted parts are brass.

- For correct use and application of all pressure gauges, please refer to: Pressure Gauge Standard ASME B40.100.

Specifications

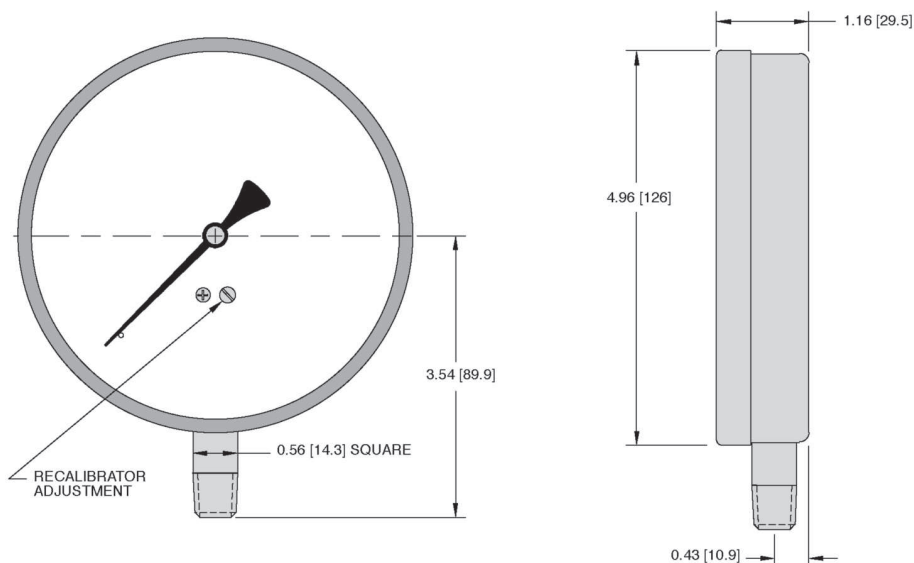
Model	620B
Dial Size	4 1/2"
Wetted Parts	Brass tube, brass socket
Movement	Brass
Connection	Lower male, 1/4 NPT
Case	304 stainless steel, stem-mounted flangeless
Ring	Friction type, 304 stainless steel
Window	Acrylic
Pointer	Plain, black finished Adjustable via screw on dial face
Dial Face	Aluminum, white background with black graduations and markings
Accuracy	±1.0% Full Scale, ASME B40.100 Grade 1A
Maximum Temperature	212°F (100° C)
Approximate Shipping Weight	0.8 lbs [0.36 kg]

HOW TO ORDER

Sample Order Number: **620B 45 02 L D 140**

Model	Dial Size	Connection Size	Connection Location	Units of Measure	Range Code
620B	45 4 1/2"	02 1/4 NPT	L Lower	A psi D psi/kPa	See Standard Ranges

All dimensions are nominal. Dimensions in [] are in millimeters.



Standard Ranges

psi Ranges (A)				psi/kPa Ranges (D)					
Range Code	Specific Range (psi)	Figure Intervals	Minor Divisions	Range Code	Specific Range	Figure Intervals	Minor Divisions	Figure Intervals	Minor Divisions
010	30" Hg to 0	5	0.5	010	30" Hg to 0 / -100 to 0 kPa	5	0.5	10	1
020	30" Hg to 15 psi	10/5	1/0.5	020	30" Hg to 15 psi / -100 to 100 kPa	10/5	1/0.5	20	2
030	30" Hg to 30 psi	10/5	1/-	030	30" Hg to 30 psi / -100 to 200 kPa	10/5	1/-	50	2
040	30" Hg to 60 psi	10/10	2/1	040	30" Hg to 60 psi / -100 to 400 kPa	10/10	2/1	50	5
050	30" Hg to 100 psi	30/20	2/2	050	30" Hg to 100 psi / -100 to 700 kPa	30/20	2/2	100	5
060	30" Hg to 150 psi	30/30	5/2	060	30" Hg to 150 psi / -100 to 1000 kPa	30/30	5/2	100	10
070	30" Hg to 300 psi	30/50	5/5	070	30" Hg to 300 psi / -100 to 2000 kPa	30/50	5/5	200	20
080	0 to 15 psi	3	0.2	080	0 to 15 psi / 0 to 100 kPa	3	0.2	10	1
090	0 to 30 psi	5	0.5	090	0 to 30 psi / 0 to 200 kPa	5	0.5	20	2
100	0 to 60 psi	10	1	100	0 to 60 psi / 0 to 400 kPa	10	1	50	5
110	0 to 100 psi	10	1	110	0 to 100 psi / 0 to 700 kPa	10	1	100	5
120	0 to 160 psi	20	2	120	0 to 160 psi / 0 to 1100 kPa	20	2	200	10
130	0 to 200 psi	20	2	130	0 to 200 psi / 0 to 1400 kPa	20	2	300	10
140	0 to 300 psi	50	5	140	0 to 300 psi / 0 to 2000 kPa	50	5	200	20
150	0 to 400 psi	50	5	150	0 to 400 psi / 0 to 2800 kPa	50	5	300	50
160	0 to 600 psi	100	10	160	0 to 600 psi / 0 to 4000 kPa	100	10	500	50