

Thermowells

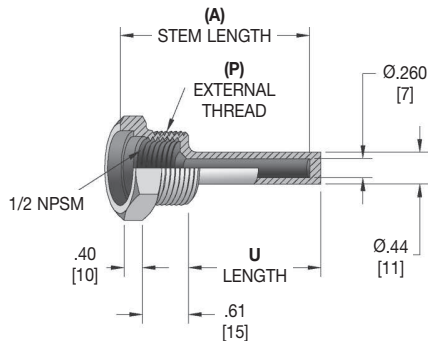
for **Bimetal Thermometers & Temperature Sensors**
Threaded-Stepped Shank

All dimensions are nominal.
Dimensions in [] are in millimeters

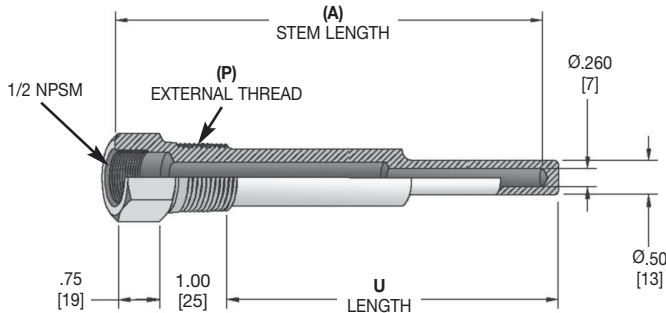


THERMOWELLS

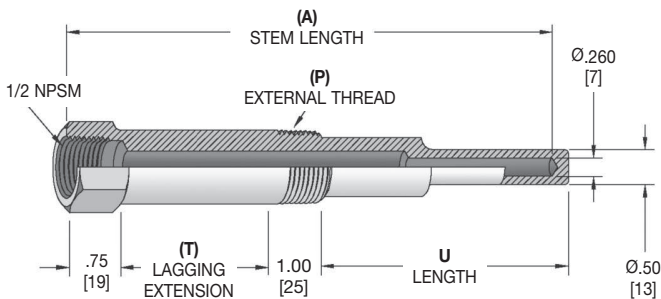
Standard (2 1/2" - 6")



Standard (9 - 24")



with Lagging Extension



Lengths

(A) Stem Length	Standard	with Lagging Extension	
	U Length	(T)	U Length
2 1/2"	1.75 [44]	-	-
4"	2.50 [64]	0.60 [15]	1.90 [48]
6"	4.50 [114]	2.00 [51]	2.50 [64]
9"	7.50 [191]	3.00 [76]	4.50 [114]
12"	10.50 [267]	3.00 [76]	7.50 [191]
15"	13.50 [343]	3.00 [76]	10.50 [267]
18"	16.50 [419]	3.00 [76]	13.50 [343]
24"	22.50 [572]	3.00 [76]	19.50 [495]

Pressure Rating (psi)

Material	Operating Temperature					
	70°F	200°F	400°F	600°F	800°F	1000°F
304 stainless steel	6550	6000	4860	4140	3510	3130
316 stainless steel	6540	6400	6000	5270	5180	4660
Monel	5530	4990	4660	4450	4450	-
Brass/PBF Brass	3170 psi @ 150°F,		2930 psi @ 350°F			

Alternative materials and accessories are also available. Please consult the Options and Accessories Section for details.

Selection of the proper thermowell is the sole responsibility of the user. Temperature and pressure limitations must be considered. Improper application may cause failure of the thermowell, resulting in possible personal injury or property damage. For correct use and application, please refer to the Thermowells For Thermometers and Electrical Temperature Sensors Standard ASME B40.9.

HOW TO ORDER

Sample Order Number: **76-4 J 6**

Thermowell Style	(P) External Thread	(A) Stem Length	(T) Lagging Extension	Material
76 - Bimetal/Sensor Stepped shank*	3 1/2 NPT**	D 2 1/2" Stem	A 1" Extension (4" Stem only)	2 Brass†
	4 3/4 NPT	G 4" Stem	C 2" Extension (6" Stem only)	4 Monel
	5 1 NPT**	J 6" Stem	E 3" Extension (9" and longer Stem only)	5 304SS
		M 9" Stem	Omit if None	6 316SS
		R 12" Stem		
		V 15" Stem		
		Wa 18" Stem		
		Wk 24" Stem		

* 2 1/2" - 6" stem straight shank.

** Not available with 2 1/2" stem length.

† Add (PBF) to end of part number to specify Lead-free brass



Thermowells

for **Bimetal Thermometers & Temperature Sensors**

Heavy Duty • Tapered Shank for High Pressure Applications

THERMOWELLS



Lengths

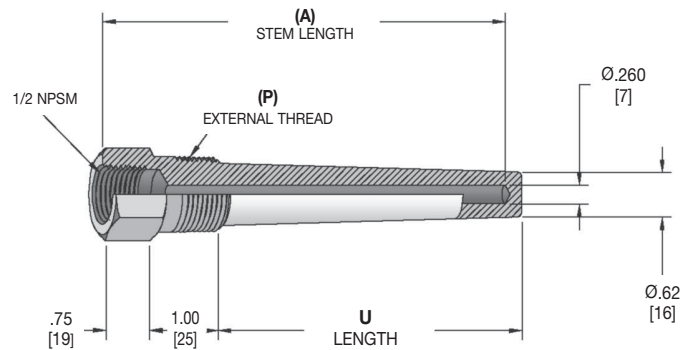
(A) Stem Length	Standard	with Lagging Extension	
	U Length	(T)	U Length
4"	2.50 [64]	-	-
6"	4.50 [114]	2.00 [51]	2.50 [64]
9"	7.50 [191]	3.00 [76]	4.50 [114]
12"	10.50 [267]	3.00 [76]	7.50 [191]
15"	13.50 [343]	3.00 [76]	10.50 [267]
18"	16.50 [419]	3.00 [76]	13.50 [343]
24"	22.50 [572]	3.00 [76]	19.50 [495]

Pressure Rating (psi)

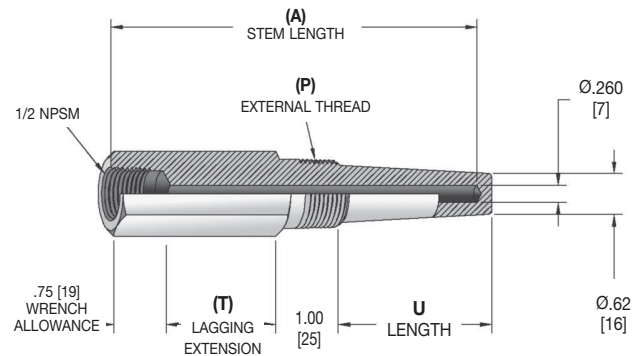
Material	Operating Temperature					
	70°F	200°F	400°F	600°F	800°F	1000°F
Carbon steel	5950	5750	5450	5250	4000	-
304 stainless steel	7800	7050	6300	5360	4350	4100
316 stainless steel	7800	7800	7250	7100	6700	5800
Monel	7170	6670	6040	5770	5770	-
Brass	4140 psi @ 150°F,		3790 psi @ 350°F			

Standard

All dimensions are nominal.
Dimensions in [] are in millimeters



with Lagging Extension



Alternative materials and accessories are also available. Please consult the Options and Accessories Section for details.

Selection of the proper thermowell is the sole responsibility of the user. Temperature and pressure limitations must be considered. Improper application may cause failure of the thermowell, resulting in possible personal injury or property damage. For correct use and application, please refer to the Thermowells For Thermometers and Electrical Temperature Sensors Standard ASME B40.9.

HOW TO ORDER

Sample Order Number: **90-4 G 4**

Thermowell Style	(P) External Thread	(A) Stem Length	(T) Lagging Extension	Material
90- Bimetal/Sensor Tapered Shank	4 3/4 NPT 5 1 NPT	G 4" Stem	C 2" Extension (6" Stem only) E 3" Extension (9" and longer Stem only) Omit if None	2 Brass
		J 6" Stem		3 Steel
	M 9" Stem	4 Monel		
	R 12" Stem	5 304SS		
	V 15" Stem	6 316SS		
	Wa 18" Stem			
	Wk 24" Stem			

Thermowells

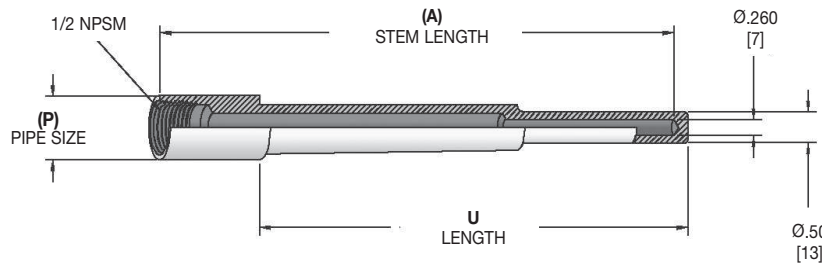
for **Bimetal Thermometers & Temperature Sensors**
Socket-Weld Style • Stepped or Heavy Duty Tapered Shank

All dimensions are nominal.
 Dimensions in [] are in millimeters.

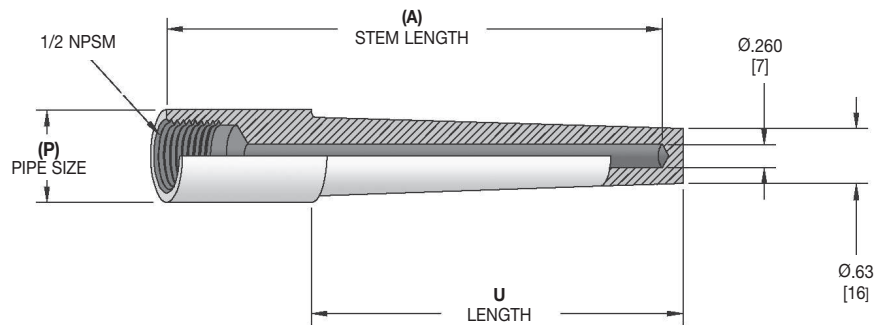


THERMOWELLS

Stepped Shank



Tapered Shank



Lengths

(A) Stem Length	U Length
4"	2.50 [64]
6"	4.50 [114]
9"	7.50 [191]
12"	10.50 [267]
15"	13.50 [343]
18"	16.50 [419]
24"	22.50 [572]

Other Dimensions

Nominal Pipe Size	Actual (P) Diameter
3/4"	1.050 [23.67]
1"	1.315 [33.40]

Pressure Rating (psi)

	Material	Operating Temperature					
		70°F	200°F	400°F	600°F	800°F	1000°F
Stepped Shank	Carbon Steel	5200	5000	4800	4600	3500	-
	304 Stainless Steel	6550	6000	4860	4140	3510	3130
	316 Stainless Steel	6540	6400	6000	5270	5180	4660
Tapered Shank	Carbon Steel	5950	5750	5450	5250	4000	-
	304 Stainless Steel	7800	7050	6300	5360	4350	4100
	316 Stainless Steel	7800	7800	7250	7100	6700	5800

Note: Trerice Socket-Weld Thermowells are furnished standard with Schedule 10. For other wall thicknesses, Please consult factory.

Alternative materials and accessories are also available. Please consult the Options and Accessories Section for details.

Selection of the proper thermowell is the sole responsibility of the user. Temperature and pressure limitations must be considered. Improper application may cause failure of the thermowell, resulting in possible personal injury or property damage. For correct use and application, please refer to the Thermowells For Thermometers and Electrical Temperature Sensors Standard ASME B40.9.

HOW TO ORDER

Sample Order Number: **90-S5 M 6**

Thermowell Style	(P) Nominal Pipe Size	(A) Stem Length	Material
76- Bimetal/Sensor Stepped Shank	S4 3/4" S5 1"	G 4" Stem	3 Steel
		J 6" Stem	5 304SS
		M 9" Stem	6 316SS
90- Bimetal/Sensor Tapered Shank		R 12" Stem	
		V 15" Stem	
		Wa 18" Stem	
		Wk 24" Stem	

Thermowells

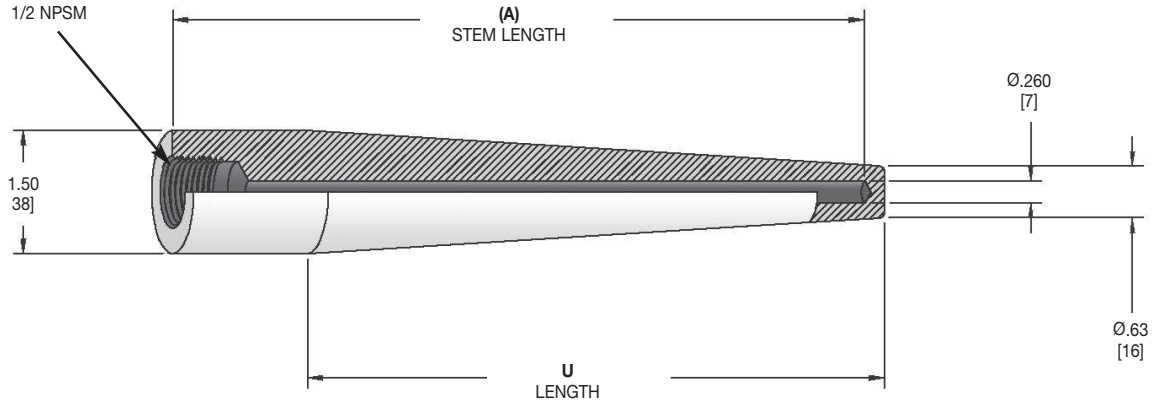
for **Bimetal Thermometers & Temperature Sensors**

Weld-In Style



Tapered Shank

All dimensions are nominal. Dimensions in [] are in millimeters



THERMOWELLS

Lengths

(A) Stem Length	U Length
4"	2.50 [64]
6"	4.50 [114]
9"	7.50 [191]
12"	10.50 [267]
15"	13.50 [343]
18"	16.50 [419]
24"	22.50 [572]

Pressure Rating (psi)

Material	Operating Temperature					
	70°F	200°F	400°F	600°F	800°F	1000°F
Carbon steel	5950	5750	5450	5250	4000	-
304 stainless steel	7800	7050	6300	5360	4350	4100
316 stainless steel	7800	7800	7250	7100	6700	5800

Alternative materials and accessories are also available. Please consult the Options and Accessories Section for details.

Selection of the proper thermowell is the sole responsibility of the user. Temperature and pressure limitations must be considered. Improper application may cause failure of the thermowell, resulting in possible personal injury or property damage. For correct use and application, please refer to the Thermowells For Thermometers and Electrical Temperature Sensors Standard ASME B40.9.

HOW TO ORDER

Sample Order Number: **90-W7 V 6**

Thermowell Style	Connection	(A) Stem Length	Material
90 - Bimetal/Sensor Tapered Shank	W7 1 1/2"	G 4" Stem	3 Steel
		J 6" Stem	5 304SS
		M 9" Stem	6 316SS
		R 12" Stem	
		V 15" Stem	
		Wa 18" Stem	
		Wk 24" Stem	

Thermowells

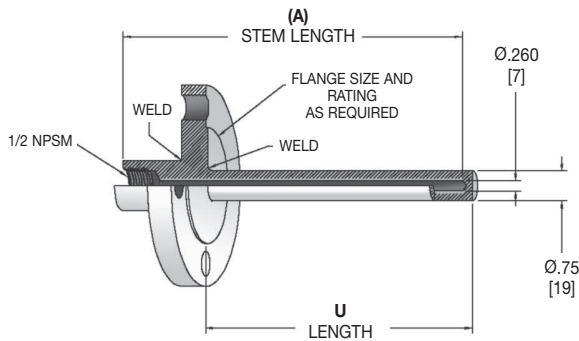
for **Bimetal Thermometers & Temperature Sensors**

Flanged Style • Straight or Heavy Duty Tapered Shank

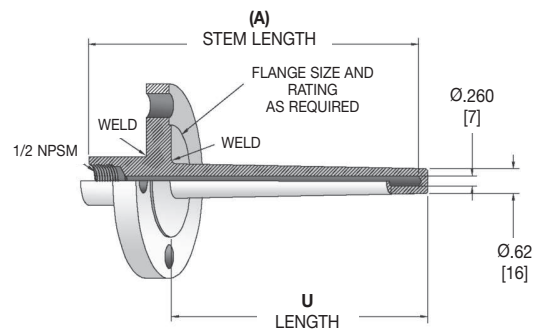
All dimensions are nominal.
Dimensions in [] are in millimeters.

THERMOWELLS

Straight Shank



Tapered Shank



Pressure Rating

Maximum pressure and temperature ratings are limited by the choice of flange. Please see ANSI/ASME B16.5-2003 for more information.

Lengths

(A) Stem Length	U Length
4"	2.00 [51]
6"	4.00 [102]
9"	7.00 [178]
12"	10.00 [254]
15"	13.00 [330]
18"	16.00 [406]
24"	22.00 [559]

Alternative materials and accessories are also available. Please consult the Options and Accessories Section for details.

Selection of the proper thermowell is the sole responsibility of the user. Temperature and pressure limitations must be considered. Improper application may cause failure of the thermowell, resulting in possible personal injury or property damage. For correct use and application, please refer to the Thermowells For Thermometers and Electrical Temperature Sensors Standard ASME B40.9.

HOW TO ORDER

Sample Order Number: **78-81 J 6**

Thermowell Style	Flange Size and Rating	(A) Stem Length	Material
78 - Bimetal/Sensor Straight Shank	51 1" } 71 1 1/2" } 150# RFF 81 2" } 181 3" }	G 4" Stem	3 Steel
		J 6" Stem	4 Monel
		M 9" Stem	5 304SS
90 - Bimetal/Sensor Tapered Shank	53 1" } 73 1 1/2" } 300# RFF 83 2" } 183 3" }	R 12" Stem	6 316SS
		V 15" Stem	
		Wa 18" Stem	
	56 1" } 76 1 1/2" } 600# RFF 86 2" } 186 3" }	Wk 24" Stem	

Other Flange Sizes and Ratings available; consult factory.

Thermowells

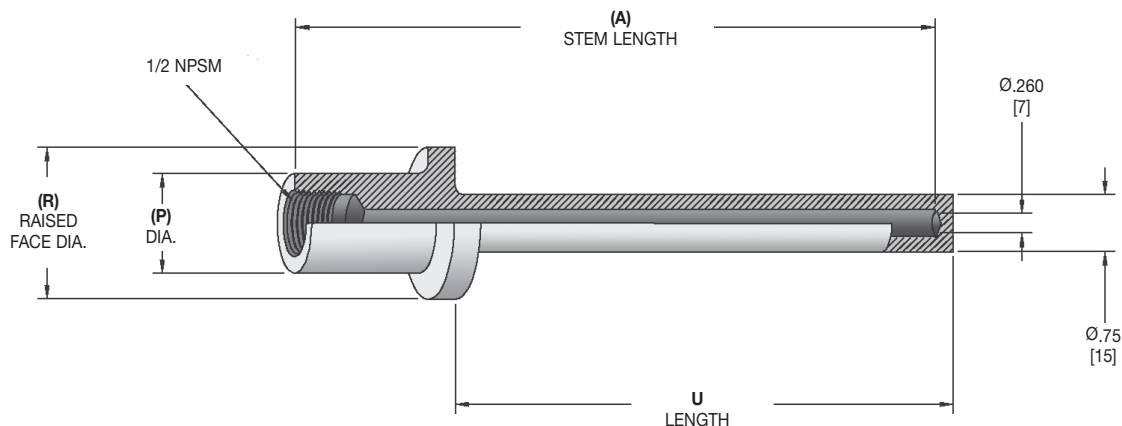
for **Bimetal Thermometers & Temperature Sensors**

Van Stone Style

All dimensions are nominal. Dimensions in [] are in millimeters..

THERMOWELLS

Straight Shank



Thermowell does not include backing flange; when required, a carbon steel backing flange can be supplied. Consult factory.

Lengths

(A) Stem Length	U Length
4"	2.00 [51]
6"	4.00 [102]
9"	7.00 [178]
12"	10.00 [254]
15"	13.00 [330]
18"	16.00 [406]
24"	22.00 [559]

Other Dimensions

Nominal Pipe Size	Actual (P) Diameter	Raised Face (R) Diameter
1"	1.32 [33]	2.00 [51]
1 1/2"	1.90 [48]	2.88 [73]

Pressure Rating

Maximum pressure and temperature ratings are limited by the choice of flange. Please see ANSI/ASME B16.5-2003 for more information.

Alternative materials and accessories are also available. Please consult the Options and Accessories Section for details.

Selection of the proper thermowell is the sole responsibility of the user. Temperature and pressure limitations must be considered. Improper application may cause failure of the thermowell, resulting in possible personal injury or property damage. For correct use and application, please refer to the Thermowells For Thermometers and Electrical Temperature Sensors Standard ASME B40.9.

HOW TO ORDER

Sample Order Number: **78-V7 R 6**

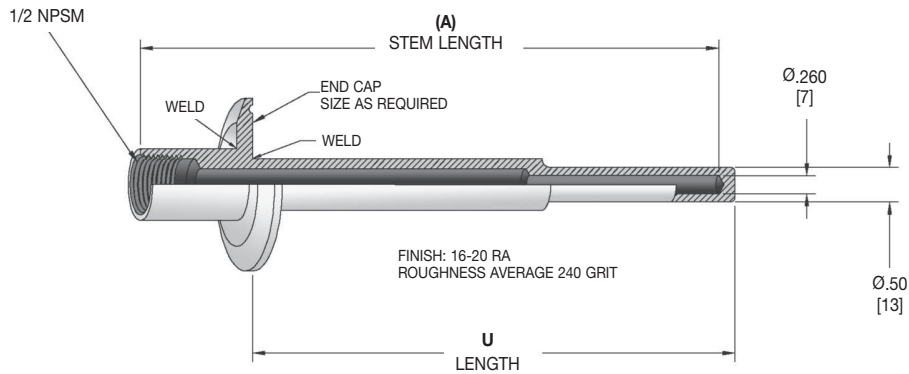
Thermowell Style	(P) Nominal Pipe Size	(A) Stem Length	Material
78 - Bimetal/Sensor Straight Shank	V5 1"	G 4" Stem	3 Steel
	V7 1 1/2"	J 6" Stem	4 Monel
		M 9" Stem	5 304SS
	R 12" Stem	6 316SS	
	V 15" Stem		
	Wa 18" Stem		
	Wk 24" Stem		

Thermowells

for **Bimetal Thermometers & Temperature Sensors**
Sanitary Style

All dimensions are nominal.
Dimensions in [] are in millimeters.

Stepped



THERMOWELLS

Lengths

(A) Stem Length	U Length
4"	2.50 [64]
6"	4.50 [114]
9"	7.50 [191]
12"	10.50 [267]
15"	13.50 [343]
18"	16.50 [419]
24"	22.50 [572]

Designed to meet 3A Dairy Certification requirements.

Pressure ratings are dependent upon the clamps, gaskets and ferrules used, which are not supplied by Trerice.

Alternative materials and accessories are also available. Please consult the Options and Accessories Section for details.

Selection of the proper thermowell is the sole responsibility of the user. Temperature and pressure limitations must be considered. Improper application may cause failure of the thermowell, resulting in possible personal injury or property damage. For correct use and application, please refer to the Thermowells For Thermometers and Electrical Temperature Sensors Standard ASME B40.9.

HOW TO ORDER

Sample Order Number: **76-T8 M 6**

Thermowell Style	End Cap Size	(A) Stem Length	Material	
76 - Bimetal/Sensor Stepped Shank	T7	1 1/2"	G 4" Stem	5 304SS
	T8	2"	J 6" Stem	6 316SS
	T18	3"	M 9" Stem	
			R 12" Stem	
			V 15" Stem	
			Wa 18" Stem	
			Wk 24" Stem	