



PROCESS GAUGES

SOLFRUNT® 4-1/2" Model 1980 Gauges with Brass Internals

DESCRIPTION

The Model 1980 4-1/2" process gauge has a PET turret style case for chemical and petrochemical processing applications. The PET material gives this case superior impact strength and a broad spectrum of chemical resistance. This model is available with wetted surface material in brass/phosphor bronze. They are available dry or liquid filled from the factory or your local stocking distributor and come with a liquid fill kit, or the E-Z Fill design to facilitate filling in the field without special tools.

The Model 1980 4-1/2" SOLFRUNT gauges are supplied in 26 vacuum, compound, and pressure ranges from 30" Hg vacuum through 11,600 psi. The low-connected PET turret case can be easily liquid filled in the field using the appropriate conversion kit.

Span adjustments can be accomplished from rear of case without disturbing the gauge internals. Pointer adjustments are easily made by removing ring and window.

SPECIFICATIONS

SIZES: 4-1/2"

ACCURACY: ±0.5% of span (Grade 2A)

BOURDON TUBE: Phosphor bronze/silver brazed

WINDOW: High temperature acrylic, other options available

MOVEMENT: Geared movement with components of corrosion-resistant 300 series stainless steel

DIAL: Aluminum with baked white background and black markings

POINTER: Anodized aluminum, micro-adjustable with black finish (optional lazy hand available, part number 132371, with dry gauges only)

CASE AND RING:

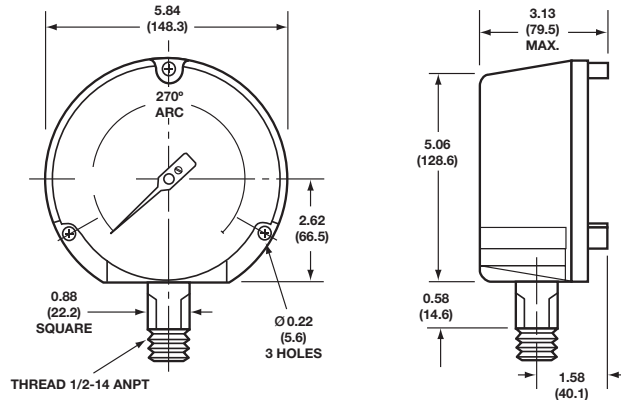
For Stem or Wall Mounting:

PET turret case (black) with glass-filled polypropylene threaded ring and pressure-relieving back. E-Z Fill option available.

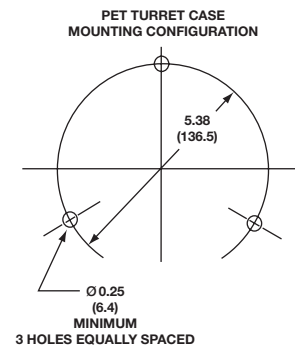
CONNECTION: Brass, 1/2-14 ANPT standard (1/4-18 ANPT, optional)



SOLFRUNT Model 1980



**INCHES
(MM)**





PROCESS GAUGES

SOLFRUNT® 4-1/2" Model 1980 Gauges with Brass Internals

Spec Number Selection Chart	
Model Number	1980*
Bourdon Tube	Phosphor Bronze
Socket	Brass
Sizes	4-1/2"
Ranges*	Spec No.
0-30" Hg VAC	150000
30"-0-15 psi	150001
30"-0-30 psi	150002
30"-0-60 psi	150003
30"-0-100 psi	150004
30"-0-150 psi	150005
0-15 psi	150006
0-30 psi	150007
0-60 psi	150008
0-100 psi	150009
0-160 psi	150010
0-200 psi	150011
0-300 psi	150012
0-400 psi	150013
0-600 psi	150014
0-1000 psi	150015

Spec Number Selection Chart		
Part	Description	Part No.
Lazy Hand	Lazy Hand 1980	132371
Fill Kit	1980 Series Bladder Design	150300
Fill Kit	1980 Series O-ring Design	150298
Panel Mount Kit	Panel Mount Kit for Flush Mounting 1981, 1980 and 1929	047631

* Metric and dual scale dials are available on all 1900 Series gauges
Please reference Metric and Dual Scale Dial part numbers in this section

+ When ordering EZ Fill Option – use 170XXX (for 1/2-14 ANPT); use 175XXX (for 1/4-18 ANPT)

1/4-18 ANPT available – use 155XXX when ordering

For factory liquid filling please add LG for Glycerin or LS for Silicone to the end of the spec numbers above, for example 170000LG