



PROCESS GAUGES

SOLFRUNT® 4-1/2" Model 1986 Gauges with MONEL Internals

DESCRIPTION

The Model 1986 4-1/2" SOLFRUNT process gauge has a MONEL Bourdon tube and socket. The Model 1986 gauge is typically used for HF service (hydrofluoric acid) during the alkylation process at a refinery. This gauge has a black glass reinforced thermoplastic (PBTB) turret style case for chemical and petrochemical processing applications. This model comes with an EZ Fill field fillable case standard. No extra parts are needed to make this gauge a liquid filled unit, simply remove plug and fill with glycerine, silicone, mineral oil or Halocarbon.

The Model 1986 4-1/2" gauges are supplied in 21 vacuum, compound, and pressure ranges from 30" Hg vacuum through 10000 psi. Standard dials are single scale psi, but this gauge can be ordered with custom dials.

Please contact Customer Service at +1 215-674-1234 for more information.

SPECIFICATIONS

- SIZES:** 4-1/2"
- ACCURACY:** ±0.5% of span (Grade 2A)
- BOURDON TUBE:** K MONEL, MONEL/micro-brazed
- WINDOW:** Polycarbonate
- MOVEMENT:** Aluminum alloy
- DIAL:** Aluminum with baked white background and black markings (optional bright yellow dial or luminescent dial)
- POINTER:** Aluminum, micro-adjustable with black finish
- CASE AND RING:**
For Stem or Wall Mounting:
Thermoplastic PBTB style turret case (black) with glass reinforced thermoplastic, threaded ring and pressure-relieving back (optional yellow and orange cases available, add YEL or ORG to end of spec number)
- CONNECTION:** MONEL, 1/2-14 NPT or 1/4-18 NPT standard



SOLFRUNT
Model 1986



SOLFRUNT Model 1986
with yellow case option
(orange case is also available)



PROCESS GAUGES

SOLFRUNT® 4-1/2" Model 1986 Gauges with MONEL Internals

Spec Number Selection Chart

Model Number	1986	1986
Bourdon Tube	K MONEL	K MONEL
Socket	MONEL	MONEL
Sizes	4-1/2"	4-1/2"
Connections	1/2" NPT	1/4" NPT
Ranges*	Spec No.	Spec No.
0-30" Hg VAC	170060K	175060K
30"-0-15 psi	170061K	175061K
30"-0-30 psi	170062K	175062K
30"-0-60 psi	170063K	175063K
30"-0-100 psi	170064K	175064K
30"-0-150 psi	170065K	175065K
30"-0-300 psi	270449K	275449K
0-15 psi	170066K	175066K
0-30 psi	170067K	175067K
0-60 psi	170068K	175068K
0-100 psi	170069K	175069K
0-160 psi	170070K	175070K
0-200 psi	170071K	175071K
0-300 psi	170072K	175072K
0-400 psi	170073K	175073K
0-600 psi	170074K	175074K
0-1000 psi	170075K	175075K
0-2000 psi	170529K	175529K
0-3000 psi	170530K	175530K
0-5000 psi	170531K	175531K
0-10000 psi	170532K	175532K

* Metric and dual scale dials are available on all 1900 Series gauges. Please contact Customer Service.

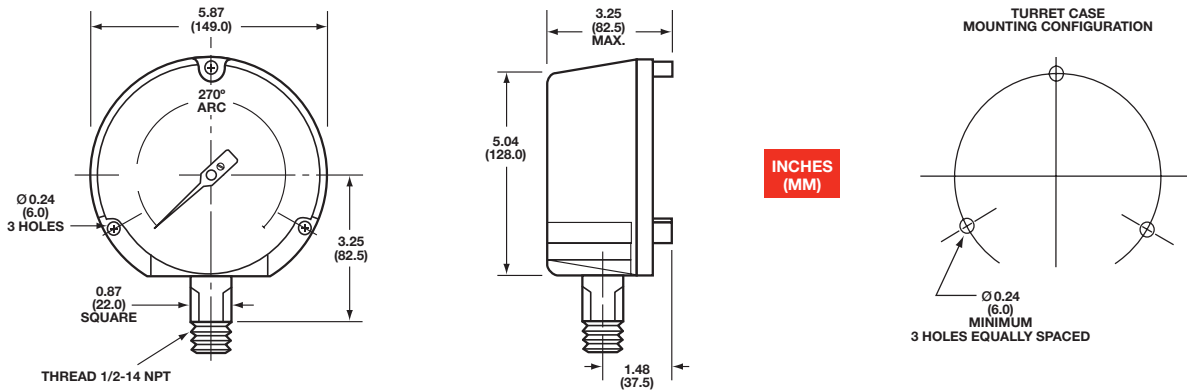
NOTE: This table is not intended to be all inclusive of all possible configurations; please see Ordering Codes on next page for more options.



PROCESS GAUGES

SOLFRUNT® 4-1/2"

Model 1986 Gauges with MONEL Internals



Model Number Ordering Codes:	
Case type	
17/27	EZ Fill case
Connection size	
0	1/2-14 NPT thread
5	1/4-14 NPT thread
Pressure range	Pressure range – see table on previous page
Fill fluid type	
LG	Glycerin
LS	Silicone
LM	Mineral Oil
Additional options	
SR	Shatter-resistant window
CL	Oxygen service
/C	NIST certification
YEL	Yellow case
ORG	Orange case
/M	Material certification
LUM	Luminescent dial
/YB	Bright yellow dial
17	0
069K	LG
	SR

Consult Customer Service for additional options.