



PROCESS GAUGES

SOLFRUNT® 4-1/2" Models 1903 and 1933

DESCRIPTION

The Models 1903 and 1933 4-1/2" process gauges are designed for process applications that require a panel mounted gauge. The 1903 and 1933 gauges have a cast aluminum front flange case with a lower-back mount process connection. These models are available with wetted surface material in brass/phosphor bronze and 316L, depending upon your needs.

Models 1903 and 1933 4-1/2" SOLFRUNT gauges are supplied in 21 vacuum, compound, and pressure ranges from 30" Hg vacuum through 11600 psi.

Calibration adjustments (scale shape and span) can be accomplished from rear of case without disturbing the gauge internals. Pointer adjustments are easily made by removing ring and window.



SOLFRUNT Model 1933

SPECIFICATIONS

SIZES: 4-1/2"

ACCURACY: ±0.5% of span (Grade 2A), except where stainless steel bourdon tubes are used in following ranges: Type 316L from 10000 to 11600 psi; accuracy is ±0.5% on ascending pressure and ±1.0% on descending pressure

BOURDON TUBE: Phosphor bronze/silver brazed or 316L seamless stainless steel/TIG welded

WINDOW: High temperature acrylic, laminated shatter-resistant glass options available

MOVEMENT: Geared ARC-LOC with components of corrosion-resistant 300 series stainless steel. Movement can be removed for examination and cleaning without disturbing span and scale shape adjustments

DIAL: Aluminum with baked white background and black markings

POINTER: Anodized aluminum, micro-adjustable with black finish (optional lazy hand available, part number 074963, with dry gauges only)

CASE AND RING:

For Panel Mounting:

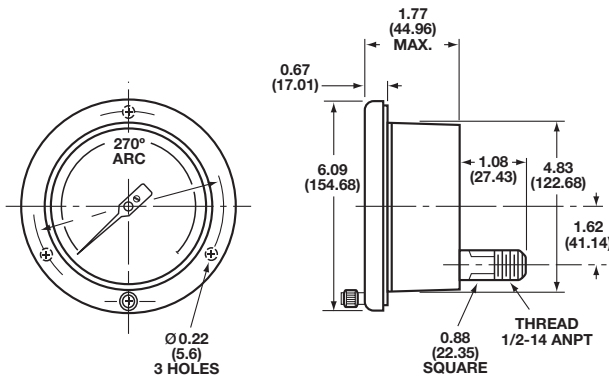
Cast aluminum, front-flanged case with steel hinged ring, black finish and pressure-relieving back

CONNECTION: Brass or 316L stainless steel, 1/2-14 ANPT standard (1/4-18 ANPT, optional)

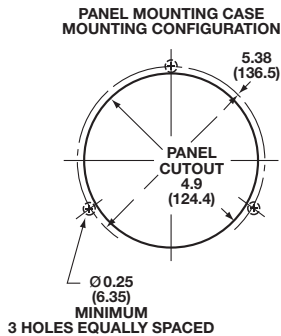


PROCESS GAUGES

SOLFRUNT® 4-1/2" Models 1903 and 1933



**INCHES
(MM)**



Spec Number Selection Chart		
Model Number	1903	1933
Bourdon Tube	Phosphor Bronze	316L Stainless Steel
Socket	Brass	316L Stainless Steel
Sizes	4-1/2"	4-1/2"
Ranges*	Spec No.	Spec No.
0-30" Hg VAC	150350	150365
30"-0-15 psi	150351	150366
30"-0-30 psi	150352	150367
30"-0-60 psi	150353	150368
30"-0-100 psi	150354	150369
0-15 psi	150355	150370
0-30 psi	150356	150371
0-60 psi	150357	150372
0-100 psi	150358	150373
0-160 psi	150359	150374
0-200 psi	150360	150375
0-300 psi	150361	150376
0-400 psi	150362	150377
0-600 psi	150363	150378
0-800 psi	-	-
0-1000 psi	150364	150379
0-1500 psi	-	150380
0-2300 psi	-	150381
0-3500 psi	-	150382
0-6000 psi	-	150383
0-11600 psi	-	150384

Spare Parts		
Part	Description	Part No.
Lazy Hand	Lazy Hand 1903, 1933	074963

* Metric and dual scale dials are available on all 1900 Series gauges

1/4-18 ANPT available – use 155XXX when ordering