



LIQUID FILLED GAUGES

Models 1550/1553 2-1/2" (63mm) and 4" (100mm) All Stainless Steel Gauges

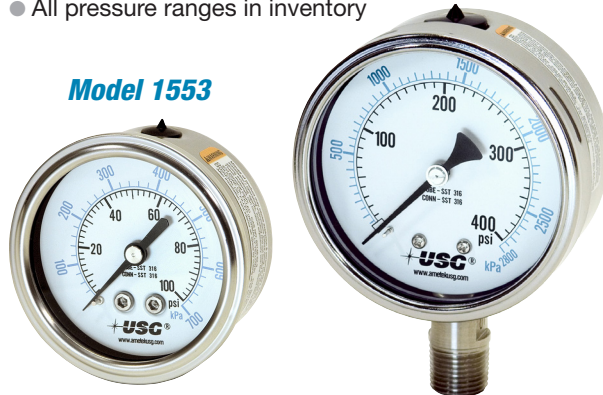
DESCRIPTION

The Model 1550 and 1553 are 2-1/2" (63mm) and 4" (100mm) affordable liquid filled gauges that have all 316 stainless steel wetted parts. They are designed to endure the harsh environments of chemical and petrochemical processing plants. Liquid filling extends the life of a dry gauge in these environments by protecting the movement from vibration and dampening any shocks the gauge may experience. The liquid filling also improves readability by minimizing the vibration that is transferred to the pointer.

Glycerin is the standard fill fluid, with silicone and mineral oil available upon request. These gauges are also available dry, and can be filled at a local distributor or at your facility.

FEATURES

- Low cost all stainless steel construction
- 316 wetted parts
- Liquid filled for long gauge life in harsh environments
- Pressure ranges from 30" Hg through 0-10000 psi for the 2-1/2" model and 30" Hg through 0-15000 psi for the 4" model
- Lower mount (LM) in 2-1/2" and 4"; center back mount (CBM) in 2-1/2"
- All pressure ranges in inventory



Model 1553

Model 1550

SPECIFICATIONS

SIZES: 2-1/2" (63mm) or 4" (100mm)

RANGES: Vacuum – 30"-0 Hg VAC (counterclockwise rotation with increasing vacuum)

Compound – 30" Hg VAC-0, 0-15 through 0-300 psi

Pressure – 0-15 psi through 0-15000 psi

ACCURACY: 2-1/2" ±3-2-3% FS (Grade B); 4" ±1.0% FS (Grade A)

BOURDON TUBE: 316 SST

WINDOW: Tempered glass, sealed with BUNA-N gasket

MOVEMENT: SST

DIAL: White aluminum with black markings; black psi inner scale and blue kPa outer scale; custom dials available in OEM quantities

POINTER: 63mm – black aluminum; 100mm – black aluminum, adjustable DIN style

CASE AND RING:

63mm – For Stem or Center Back Mounting:

300 Series stainless steel, solid back case with stainless steel crimped ring. BUNA-N multi-function plug with removable nipple for venting, pressure relief, and liquid fill access

100mm – For Stem Mounting:

300 Series stainless steel, bayonet type ring.

CONNECTION: 316 SST; 63mm – 1/4-NPT; 100mm – 1/2-NPT

RESTRICTOR: Optional 316 SST, threaded style

Low Pressure Vent Plug

A vent plug with pop-up pin is used for all low pressure gauges, from 30" Hg to 30 psi. For gauges in pressure ranges of 60 psi and above a standard one piece black BUNA-N plug is used.



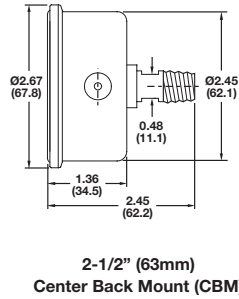
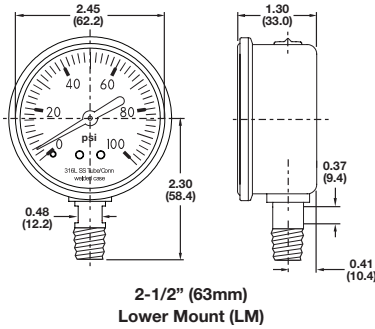
Model Selection Chart

| Model Number | Dial Sizes | Mounting | Connection | Socket | Bourdon Tube | Case | Ring |
|--------------|------------|-------------|-------------|---------|--------------|-----------------|--------------|
| 1550 | 2-1/2" | Stem | 1/4-NPT LM | 316 SST | 316 SST | Stainless Steel | SST Crimped |
| 1553 | 2-1/2" | Center Back | 1/4-NPT CBM | 316 SST | 316 SST | Stainless Steel | SST Crimped |
| 1550 | 4" | Stem | 1/2-NPT LM | 316 SST | 316 SST | Stainless Steel | Bayonet Type |

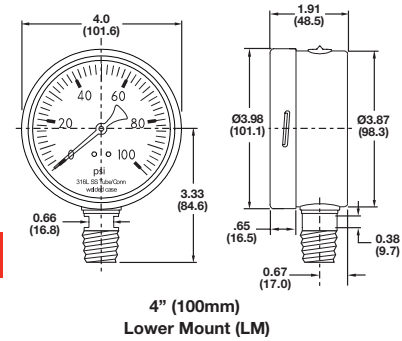


LIQUID FILLED GAUGES

Models 1550/1553 2-1/2" (63mm) and 4" (100mm) All Stainless Steel Gauges



**INCHES
(MM)**



Spec Number Selection Chart

| Size Gauge | 2-1/2" (63mm) | 2-1/2" (63mm) | 4" (100mm) |
|------------------------------|--------------------------|---------------------------|--------------------------|
| Connection | 1/4-18 NPT LM Connection | 1/4-18 NPT CBM Connection | 1/2-14 NPT LM Connection |
| Bourdon Tube Material | 316L SST | 316L SST | 316L SST |
| Socket Material | 316L SST | 316L SST | 316L SST |
| Model No. | 1550 | 1553 | 1550 |
| Ranges | Spec No. | Spec No. | Spec No. |
| 30" Hg VAC | 253000A | 253027A | 254000A |
| 30"-0-15 | 253001A | 253028A | 254001A |
| 30"-0-30 | 253002A | 253029A | 254002A |
| 30"-0-60 | 253003A | 253030A | 254003A |
| 30"-0-100 | 253004A | 253031A | 254004A |
| 30"-0-150 | 253005A | 253032A | 254005A |
| 30"-0-200 | 253006A | 253033A | 254006A |
| 30"-0-300 | 253007A | 253034A | 254007A |
| 0-15 psi | 253008A | 253035A | 254008A |
| 0-30 psi | 253009A | 253036A | 254009A |
| 0-60 psi | 253010A | 253037A | 254010A |
| 0-100 psi | 253011A | 253038A | 254011A |
| 0-160 psi | 253012A | 253039A | 254012A |
| 0-200 psi | 253013A | 253040A | 254013A |
| 0-300 psi | 253014A | 253041A | 254014A |
| 0-400 psi | 253015A | 253042A | 254015A |
| 0-600 psi | 253016A | 253043A | 254016A |
| 0-800 psi | 253017A | 253044A | 254017A |
| 0-1000 psi | 253018A | 253045A | 254018A |
| 0-1500 psi | 253019A | 253046A | 254019A |
| 0-2000 psi | 253020A | 253047A | 254020A |
| 0-3000 psi | 253021A | 253048A | 254021A |
| 0-4000 psi | 253022A | 253049A | 254022A |
| 0-5000 psi | 253023A | 253050A | 254023A |
| 0-6000 psi | 253024A | 253051A | 254024A |
| 0-10000 psi | 253025A | - | 254025A |
| 0-15000 psi | - | - | 254026A |

All gauges are stocked dry at our distribution center. For factory liquid filling please add the following letters after the spec number when ordering:

- **LG** - for liquid-filled with glycerin
- **LS** - for liquid-filled with silicone
- **LM** - for liquid-filled with mineral oil



On-line order fax: +1 215-323-9450 or e-mail: usg.sales@ametek.com

Sales/Technical Support: +1 215-293-4100 | 205 Keith Valley Road | Horsham PA 19044 U.S.A.

