



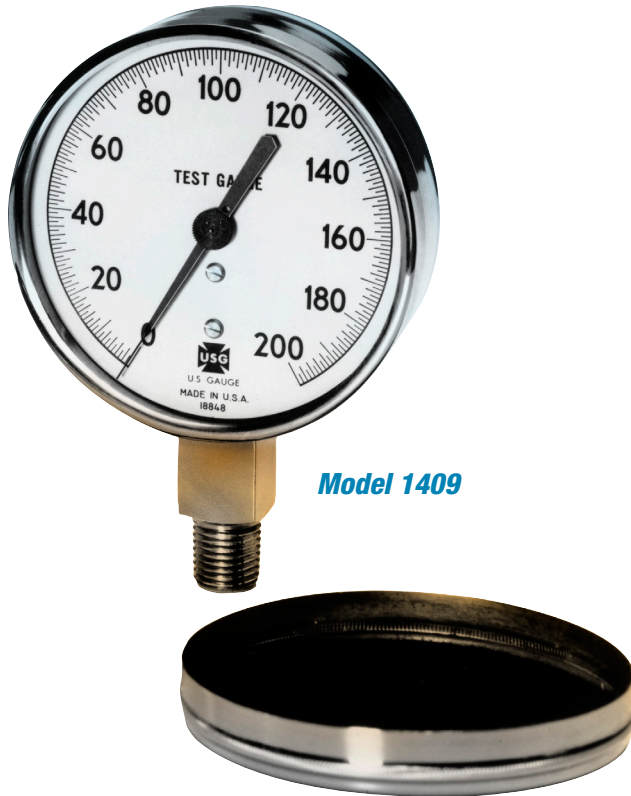
TEST GAUGES

Model 1409 3" Portable Test Gauges

DESCRIPTION

U.S. Gauge 3" test gauges combine high accuracy, rugged construction and portability for a wide range of field and production testing applications.

The instrument is available in a durable ABS chrome plated case design. Optional felt-lined cover protects window against scratching or breakage. Test gauges incorporate Bourdon tube sensing elements for a wide selection of ranges from 30 up to 5000 psi. A knife-edged, adjustable pointer improves viewing and simplifies front zero calibration.



SPECIFICATIONS

SIZES: 3"

ACCURACY:

±0.5% of span in 0 to 30 through 0 to 1000 psi (Grade 2A)
±1% of span in 0 to 1500 psi through 0 to 5000 psi (Grade 1A)

BOURDON TUBE: *Phosphor bronze:* 30 through 1000 psi;
Beryllium copper: 1500 through 5000 psi

WINDOW: Polycarbonate

MOVEMENT: Geared with moving parts of dissimilar metals to minimize friction and wear

DIAL: Steel, white background with black markings. Arc of calibration on model 1409 is 300° except 0 to 5000 psi range arc is 270°

POINTER: Knife-edged, black, adjustable

CASE: ABS, chrome plated

RING: ABS, chrome plated

COVER (Optional): ABS, chrome plated

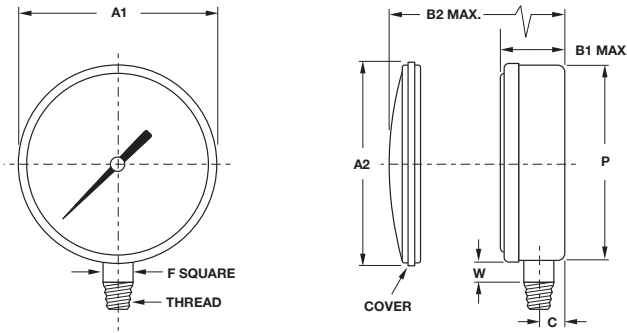
CONNECTION: 1/4-18 ANPT low mount, brass

| Standard Ranges | | |
|--------------------|------------------|--------------------|
| Maximum Indication | Figure Intervals | Smallest Intervals |
| 30 psi | 2 | 0.1 |
| 60 psi | 5 | 0.2 |
| 100 psi | 10 | 0.5 |
| 160 psi | 10 | 1 |
| 200 psi | 20 | 1 |
| 300 psi | 20 | 1 |
| 600 psi | 50 | 2 |
| 1000 psi | 100 | 5 |
| 1500 psi | 150 | 10 |
| 2000 psi | 200 | 10 |
| 3000 psi | 500 | 20 |
| 5000 psi | 500 | 25 |



TEST GAUGES

Model 1409 3" Portable Test Gauges



**INCHES
(MM)**

| Model 1409 Dimensions | | | | | | | | | |
|-----------------------|--------|-------|-------|-------|-------|-------|-------|-------|-------|
| Model | Unit | A1 | A2 | B1 | B2 | C | F | P | W |
| 1409 (3") | inches | 3.40 | 3.55 | 1.38 | 1.69 | 0.54 | 0.625 | 3.23 | 0.67 |
| | mm | 86.36 | 90.17 | 35.05 | 42.93 | 13.72 | 15.88 | 82.04 | 17.02 |

| Spec Number Selection Chart | |
|--------------------------------|---|
| 3" Portable Test Gauges | Model No. 1409 1/4-18 ANPT, Lower Mount |
| Bourdon Tube | Phosphor Bronze (30 psi through 1000 psi) Beryllium Copper (1500 psi through 5000 psi) |
| Connection | Brass |
| Ranges | Spec No. |
| 0-30 psi | 161947 |
| 0-60 psi | 161948 |
| 0-100 psi | 161949 |
| 0-160 psi | 161950 |
| 0-200 psi | 161951 |
| 0-300 psi | 161952 |
| 0-600 psi | 161953 |
| 0-1000 psi | 161954 |
| 0-1500 psi | 161955 |
| 0-2000 psi | 161956 |
| 0-3000 psi | 161957 |
| 0-5000 psi | 161958 |