



**SPECIAL APPLICATION GAUGES**

# General Purpose Receiver Gauges

**DESCRIPTION**

Offered in 2", 2-1/2", and 3-1/2" sizes for panel or stem mounting, these gauges are normally used for remote indication of process variables and not for tuning process controls. Receiver gauges are inexpensive and suitable for applications which do not demand better than 1% accuracy over the middle half of the scale.

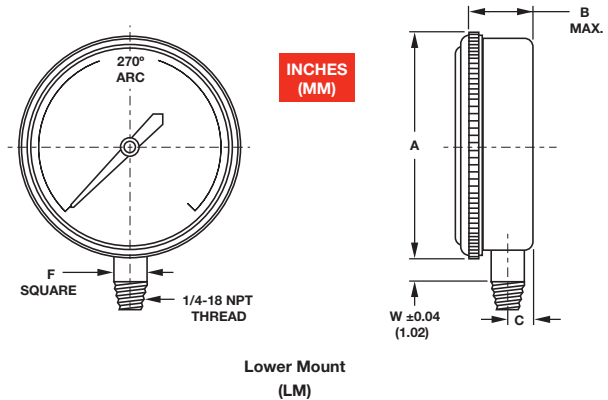
**SPECIFICATIONS**

- SIZES:** 2", 2-1/2", 3-1/2"
- ACCURACY:** ±2-1-2% of span (Grade A)
- BOURDON TUBE:** Beryllium copper
- WINDOW AND RING:** Threaded, polycarbonate
- MOVEMENT:** Brass with minimum stop
- DIAL:** Steel, white background with black markings  
Outer scale marked 3 to 15 psi; inner scale marked in terms of process variable
- POINTER:** Aluminum, black finish
- CASE:** Steel, black finish (back connected with U-clamp)
- CONNECTION:** 1/4-18 NPT, brass

**Model 1370**



**Model 1370-U**



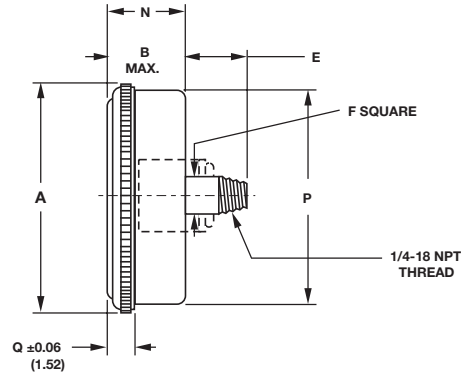
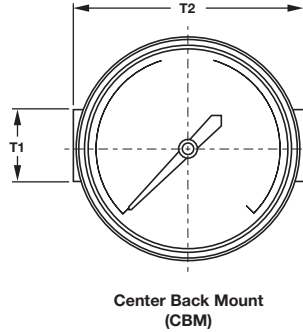
Dimensions 1370 Lower Mount						
Dial Size	Unit	A	B	C	F	W
2"	inches	2.28	1.18	0.41	0.56	0.24
	mm	57.9	30.0	10.4	14.2	6.1
2-1/2"	inches	2.83	1.22	0.41	0.56	0.23
	mm	71.9	31.0	10.4	14.2	5.8
3-1/2"	inches	3.88	1.19	0.38	0.56	0.44
	mm	98.6	30.2	9.7	14.2	11.2



**SPECIAL APPLICATION GAUGES**

# General Purpose Receiver Gauges

**INCHES  
(MM)**



### Dimensions 1370-U Center Back Mount

Dial Size	Unit	A	B	E	F	N	P	Q	T1	T2
2"	inches	2.25	1.22	0.78	0.56	1.09	2.11	0.24	0.75	2.28
	mm	57.2	31.0	19.8	14.2	27.7	53.6	6.1	19.1	57.9
2-1/2"	inches	2.80	1.22	0.77	0.56	1.09	2.59	0.30	0.75	2.81
	mm	71.1	31.0	19.6	14.2	27.7	65.8	7.6	19.1	71.4
3-1/2"	inches	3.88	1.18	0.78	0.56	1.09	3.64	0.29	0.75	3.94
	mm	98.6	30.0	19.8	14.2	27.7	92.5	7.4	19.1	100.1

### Spec Number Selection Guide

SURFACE OR STEM MOUNTED GAUGES			
Specifications	Model 1370 1/4-18 NPT Lower Mount		
Bourdon Tube	Beryllium Copper		
Connection	Brass		
Sizes	2"	2-1/2"	3-1/2"
Ranges	Spec No.	Spec No.	Spec No.
0-100 psi	035242A	035245A	075818A
0-10 psi	-	-	075820A
FLUSH PANELBOARD MOUNTED GAUGES			
Specifications	Model 1370* 1/4-18 NPT Lower Mount		
Bourdon Tube	Beryllium Copper		
Connection	Brass		
Sizes	2"	2-1/2"	3-1/2"
Ranges	Spec No.	Spec No.	Spec No.
0-100 psi	035243A	035244A	075817A
0-10 psi	-	-	075819A

\* Suitable for stem mounting